

1. Dimension, Weight Specifications

Drive type	LHD, 4 x 2	RHD, 4 x 2	LHD, 4 x 2
Model	SPACE LD		SPACE LS
Suspension type	LEAF		AIR

Dimensions (mm)

Overall Length	11,490		
Overall Width	2,490		
Overall Height	2,110	2,100	2,070
Wheel Base	6,050		
Wheel tread	Front	2,010	2,050
	Rear	1,860	
Overhang	Front	2,240	
	Rear	3,200	
Min. Ground Clearance	205		195

Weight(Kg)

Engine	D6AV/D6AB	C6AC	D6AB
Empty Vehicle Weight	6,275/6,380	7,060	6,515
	Front	1,665/1,625	1,655
	Rear	4,610/4,755	4,860
Gross Vehicle Weight**	16,000	16,800	16,000
	Front	6,000	6,000
	Rear	10,000	10,800

** Max. GVW includes the front & rear axle loads based on the permissible tire load.

Annotations

- 1) Empty vehicle weight shown are to 3.5% variation to allow for production tolerance.
- 2) Empty vehicle weight includes weight of oil, fuel, coolant and spare tire carrier & bracket, spare tire but exclude standard tool set.
- 3) This vehicle specifications may differ per country.
- 4) For further information please contact the commercial vehicle export teams of HMC .
- 5) In order that product improvement may be introduced at any time, specifications are subject to change without prior notice.

2. Chassis Specifications

Vehicle Model		SPACE LD		SPACE LD/LS
Engine				
Model		D6AV	C6AC	D6AB
Type		4 cycle, Water-Cooled Direct-Injection diesel engine	4 cycle, Water-Cooled Compressed natural gas engine	4 cycle, Water-Cooled Direct-Injection diesel engine
Number of Cylinder		6 in-line		
Piston Displacement (cc)		11,149		
Bore x Stroke (mm)		130 x 140		
Compression Ratio		17:1(General), 17.5:1(Euro I)	11.5:1	16.5:1(EuroI), 17:1(Euro II)
Max. Power** (ps/rpm)	General	235/2,200	-	-
	Euro I	220/2,200	-	300/2,200
	Euro II	-	290/2,000	290/2,000
Max. Torque** (kg.m/rpm)	General	78/1,400	-	-
	Euro I	75/1,400	-	110/1,400
	Euro II	-	110/1,400	110/1,200
Cooling System	General	Pressure type with the thermostat, forced circulation by centrifugal water pump		
	Radiator	Corrugated fin and tube type with pressure cap and condenser tank		
Electrical System	Battery	24V-200AH(LD:24V-150A)		
	Alternator	24V-70AH	24V-180AH	24V-150AH
	Starter	24V-5.5KW		
Fuel System	Injection pump	DPICO in-line type	Woodard CNG System SPI + Mixer	DPICO in-line type(Euro I) Bosch in-line type(Euro II)
	Governor	Min-Max type(RFD)	-	Min-Max (RFD) (Euro I) All Speed type(RLD-J)(Euro II)
	Fuel filter	Spin-on type		
Oil System	Lubrication	Forced lubrication by gear pump		
Clutch				
Type		Hydraulic control with air assisted, single dry plate with air pressure assistance		
Facing material		Non-Asbestos		
Facing Size (mm); Outside dia. x Inside dia.		ø430 x ø250		
Transmission				
Model		M8S5(O.D)	M10S5(D.D)	
Type		5 forward and 1 reverse speed, 2nd to 5th synchromesh, 1st & reverse constant-mesh gears		
Gear Ratio	1st	5.431	7.119	
	2nd	3.463	4.436	
	3rd	1.747	2.451	
	4th	1.000	1.463	
	5th	0.741	1.000	
	Reverse	5.677	6.240	
T.G.S.(Transmission Gear Shift)		Floor shift, Mechanical remote control		
Propellershaft				
Model		S1610	S1710	
Type		Tube	Tubeless	Tube
Size (Diameter x Thickness)		ø88.9 x 6t	ø80	ø101.6 x 5t

2. Chassis Specifications

Engine Model		D6AV	C6AC	D6AB
Rear Axle				
Model		D8S	D10H	D8S
Type		Full floating type		
Capacity(kg)		10,000	10,800	10,000
Final Reduction Gear	Type	Single reduction, Spiral bevel gear	Single reduction, Hypoid gear	Single reduction Spiral bevel gear
	Ratio	4.875	4.444	3.909
Front Axle				
Type		Reverse Elliot type "I" beam		
Capacity(kg)		6,000		
Tire & Wheel				
Type		Single Front, Dual Rear		
Tire	Front/Rear	10.00 x 20-14PR	11R22.5-16PR	LD : 10.00 x 20-16PR LS : 11R22.5-16PR(FRT) 10.00 x 20-16PR(RR)
Wheel size	Front/Rear	7.00T x 20-170	8.25T x 22.5-165	7.00T x 20-170(RR) 8.25 x 22.5-165 (FRT)
Steering				
Type		Ball-nut type with integral hydraulic power booster, tilt & telescopic		
Steering Wheel Diameter(mm)		ø500		
Tilting Angle		57° ~ 67°		
Telescopic Stroke(mm)		50		
Turning Angle	Inner	46°		
	Outer	37°51"		
Brake				
Service Brake	Type	Full Air, dual circuit, fixed "S" cam with spring loaded chambers		
	Drum Diameter(mm)	410		
	Lining size (widthxthick)	Front, mm	156 x 19t	
		Rear, mm	220 x 19t	
Parking Brake	Type	Spring loaded type parking brake on the rear wheels		
	Size(mm)	220 x 19		
Exhaust Brake		Air actuated operated, butterfly valve type		
Vehicle Model		SPACE LD	SPACE LD CNG	SPACE LS
Suspension				
Type	Front / Rear	Semi-elliptic, laminated leaf springs		Air
Dimension(mm)	Span x width x thickness - EA			Width x Height - EA
	Front	1450 x 90 x 13t-6	1450 x 90 x 13t-3,14t-3	285 x 296 - 2
	Rear	1700 x 100 x 13t-2, 15t-8		285 x 325 - 4
Stabilizer Bar	Front / Rear	Torsion bar type		
Shock absorber		Hydraulic double acting telescopic type on axles		

2. Chassis Specifications

Vehicle Model	SPACE LD	SPACE LD CNG	SPACE LS
Air filter			
Type	Dry paper element		
Fuel tank			
Capacity	300 L	764 L (1,068 : OPT)	300 L
Material	Steel	Steel + FRP	Steel
Frame			
Type	Semi monocoque(Front, rear & extension frame)		
Main section size(mm) (Height x Width x thick)	Front : 180 x 90 x 4.5t		
	Rear : 200 x 60 x 6t		

3. Instrument grouped on dash panel

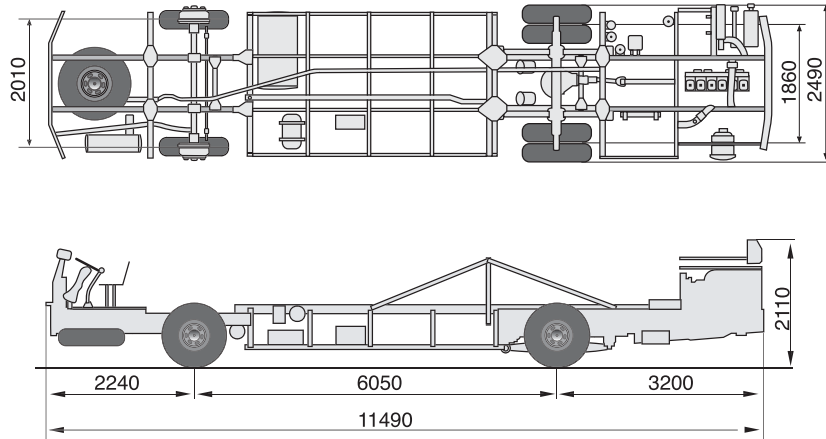
Instruments	
Meter & gauges	<ul style="list-style-type: none"> - Speedometer - Voltage meter - Coolant temperature gauge - Air pressure gauge - Odometer - Fuel gauge - Oil pressure gauge - Engine tachometer
Warning lamp & indicators	<ul style="list-style-type: none"> - Oil pressure warning lamp & buzzer - Coolant level pilot lamp & buzzer - Air pressure warning lamp & buzzer - Battery charging warning lamp - Beam indicator lamp - Directional indicator & hazard pilot lamp - Parking brake warning lamp - Exhaust brake indicator - Overheat warning lamp & buzzer
Switches	<ul style="list-style-type: none"> - Battery relay switch - Lighting directional indicator & dimmer switch - Starter switch - Wiper & washer switch - Hazard lamp switch - Warning lamp check switch - Parking lamp switch
Others	<ul style="list-style-type: none"> - Throttle control knob - Horn button

4. Electrical System Equipment

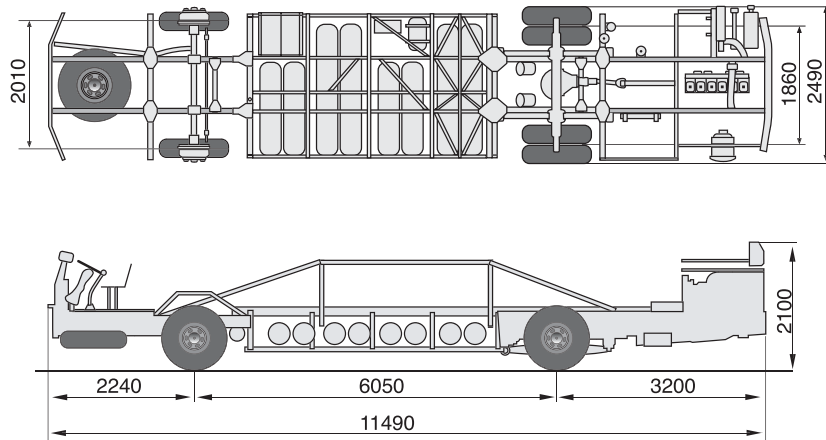
Electrical Equipment	
Type	24 volt negative earth
Batteries	Number per vehicle: two series-connection earth 12V
Alternator	Type: with built-in rectifier and separate voltage regulator
Headlamps	High/low beam 75/70W x 2
Directional indicator & hazard lamps	Front: 25W x 2 Rear: 25W x 2
Stop/tail lamps	21/5W x 2
Back-up lamp	21W x 1

5. Dimensions

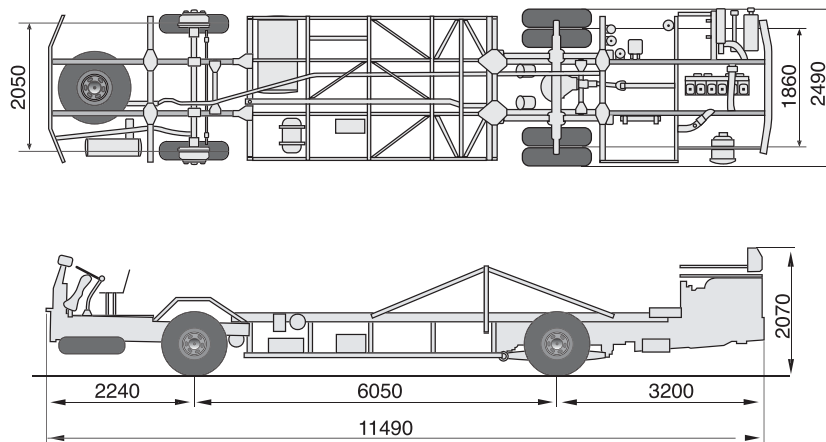
Aero Space LD(LHD)



Aero Space LD CNG(RHD)



Aero Space LS(LHD)



BARE CHASSIS